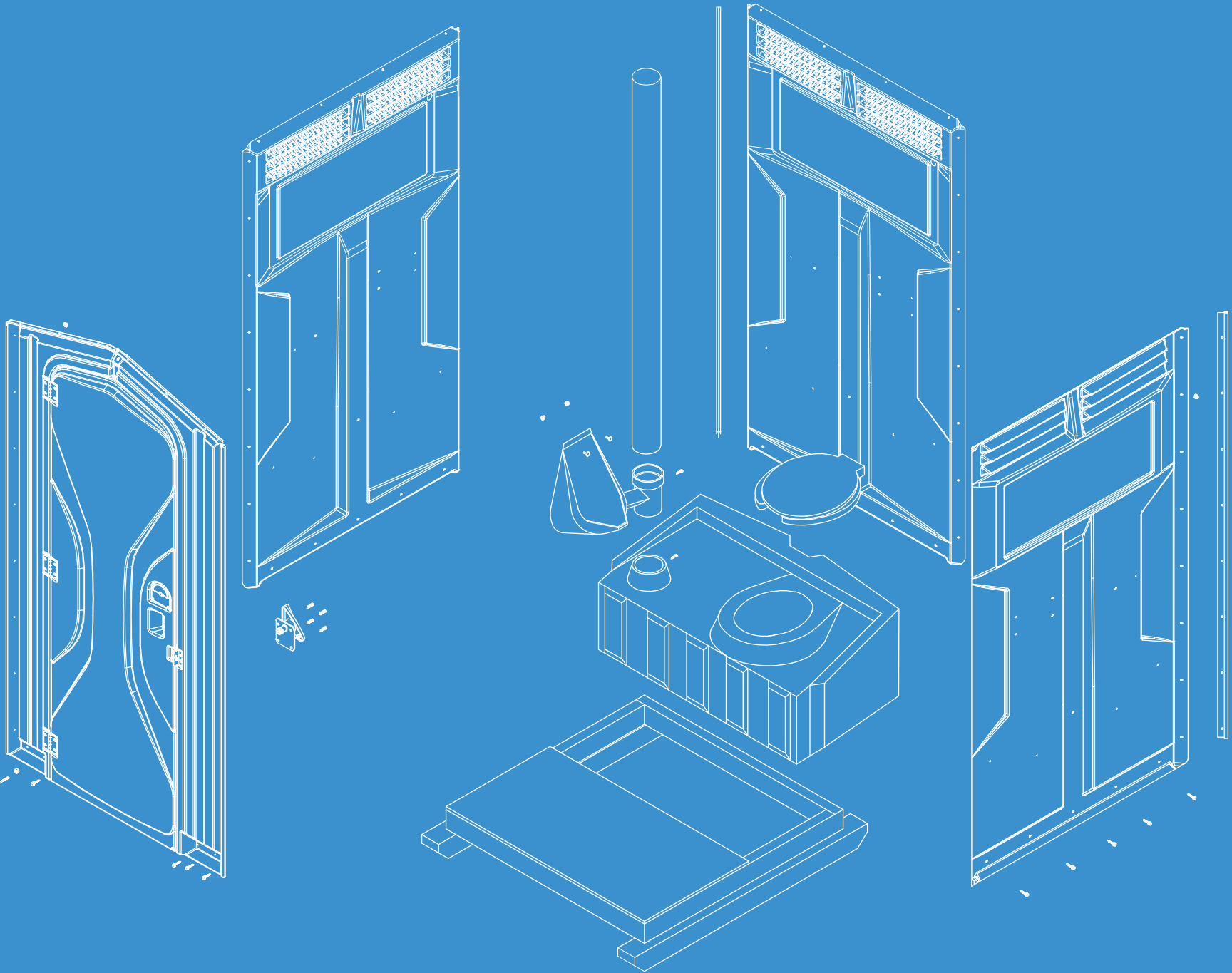




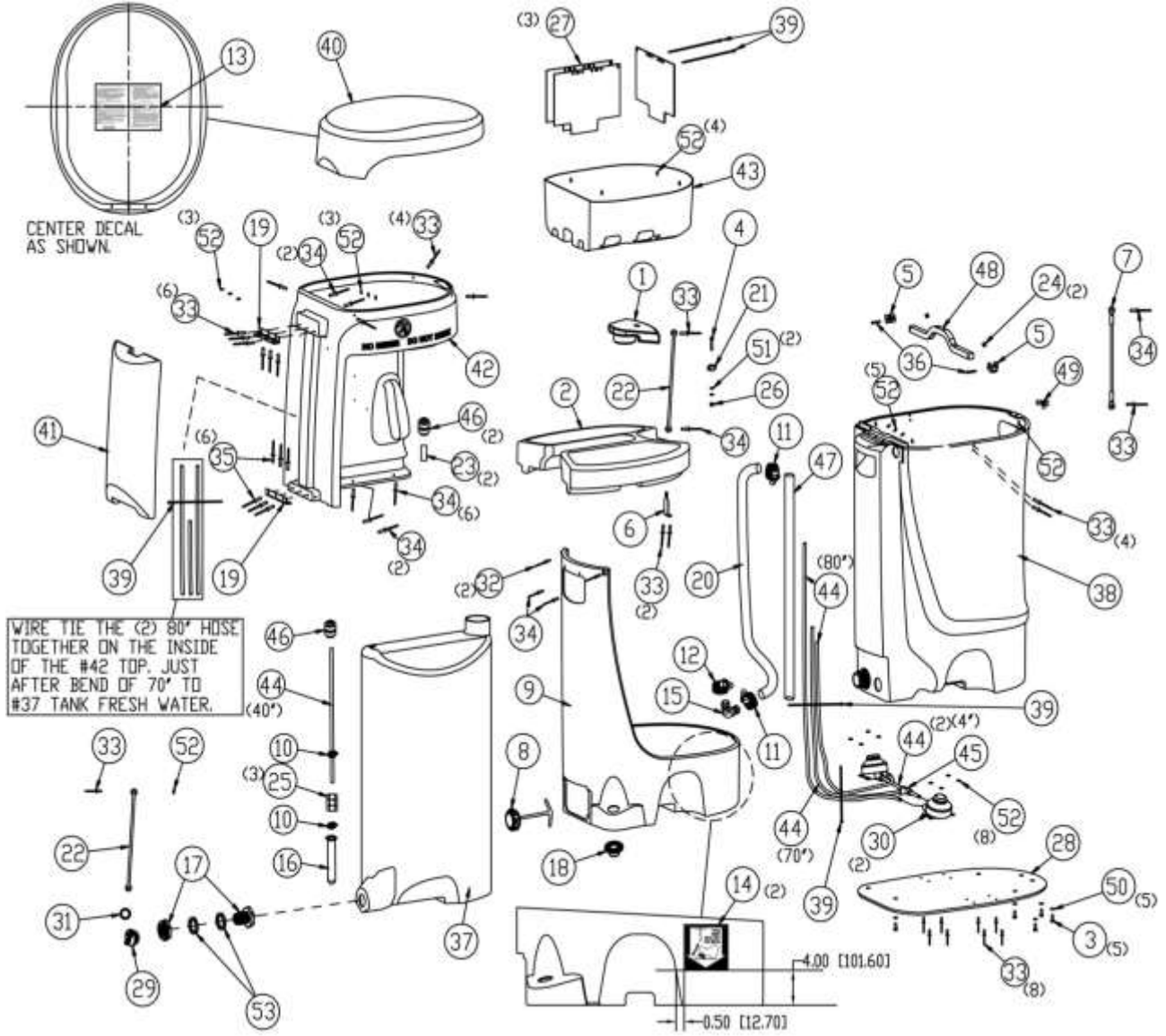
# Parts Catalog 2014



[satelliteindustries.com](http://satelliteindustries.com)

800.883.1123

### BREEZE II™ MAJOR ASSEMBLY



## BREEZE II™ MAJOR ASSEMBLY

REV D ITEM #	PART#	QTY PER UNIT	DESCRIPTION	PRICE EACH
	21300	1	BREEZE II- HANDWASH	CALL
1	21278	1	BASIN LID- BREEZE II DGRY	
2	21272	1	BASIN- BREEZE II DGRY	
3	16814	5	BOLT- 1/4-20 X 3/4 STNLS	
4	12025	1	BOLT- 1/4-20 X 1-1/2 HX STNLS	
5	21273	2	BRACKET- BREEZE II HOLDOWN	
6	21326	1	BRACKET- BREEZE II BASIN LID	
7	18380	1	CABLE- BREEZE TANK	
8	21322	1	CAP- 2-1/4 W/GSKT W/TETHR PLST	
9	21277	1	CAP- BREEZE II BOTTOM DGRY	
10	21069	2	CLAMP- WORMDRIVE #4 STNLS	
11	12588	2	CLAMP- WORMDRIVE #12	
12	19386	1	CLAMP- WORMDRIVE #16	
13	18242	1	DECAL- BREEZE/WAVE PROCEDURE	
14	17463	2	DECAL- WAVE/BREEZE PUMP INSTR	
15	21294	1	ELBOW- 90 3/4INS X 3/4INS POLY	
16	16829	1	FILTER- 1/2 X 3-1/2 CYLINDER	
17	21281	1	FITTING- BULKHEAD BREEZE II	
18	21282	1	FITTING- PUMP OUT BREEZE II	
19	21302	2	HINGE- BREEZE II	
20	14384	44"	HOSE- #44 FLEX	
21	21297	1	KNOB- 1/4 WING THUMB SCREW	
22	21320	2	LAYNARD- 8in 2 EYELETS NYLON	
23	16819	2	NOZZLE- THE WAVE	
24	20903	2	NUT- #10-24 NYLOC STNLS	
25	19271	3	NUT- 5/8-11 NC STNLS	
26*	16307	1	NUT- 1/4-20 NYLOC STNLS	
27	21274	3	PANEL- BREEZE II TOWEL	
28	21283	1	PLATE- BREEZE II BOTTOM	
29	21284	1	PLUG- 3/4in STR PIPE W/O RING	
30	16305	2	PUMP- BABY FOOT 3/8 HOSE INS	
31	21318	1	RING- SPLIT BREEZE II BASIN	
32*	21327	2	RIVET- #616 AAP ALUM	
33*	11027	27	RIVET- #66 ALUM	
34*	17436	14	RIVET- AVDEL SILVER	
35	15975	6	RIVET- #66 STNLS	
36*	19184	2	SCREW- #10-24 1-1/2 STNLS PHPN	
37	21285	1	TANK- BREEZE II FRESH WATER	
38	21286	1	TANK- BREEZE II GREY WATER	
39	11261	5	TIE- WIRE 6in	
40	21275	1	TOP CAP- BREEZE II DGRY	
41	21276	1	TOP STRIPE- BREEZE II DGRY	
42	21287	1	TOP- BREEZE II BLUE	
43	21279	1	TOP- BREEZE II INSERT DGRY	
44	16304	278"	TS HOSE- 3/8 OD TUBING	
45	18345	1	TS FITTING- 3/8 HOS TEE	
46	16823	3	TS FITTING- 3/8 HOS X BULKHEAD	
47	21319	1	TUBE- 3/4 X 32in PVC SCH40	
48	21288	1	TUBE- BREEZE II FRESH HOLDOWN	
49	21280	1	U-NUT- 1/4-20 PLTD	
50*	11360	5	WASHER- 1/4 ID FENDER STNLS	
51*	12382	2	WASHER- 1/4 FLAT STNLS	
52*	11315	25	WASHER- 3/16 RIVET STNLS	
53	21295	2	WASHER- 1-1/2 ID RUBBER	
	21516	1	KIT- BREEZE II HEATER	
	21558	1	PLUG- 1-1/2 ROUND W/DRAIN HOLE	
	20508	1	BOOT- BABY FOOT PUMP (BLACK)	

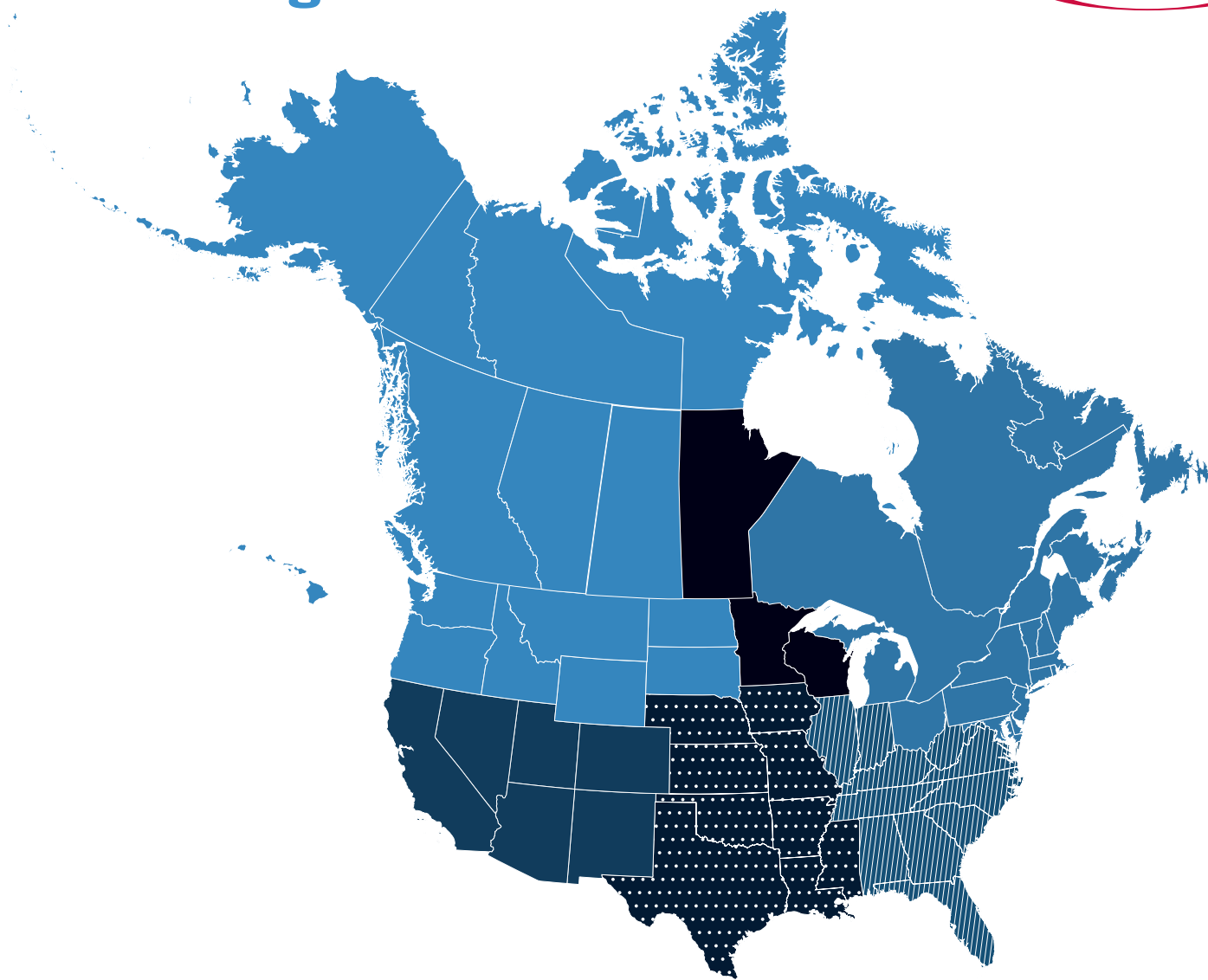
\* ONLY SOLD IN MULTIPLES OF100

Consult Your Area Manager at:

Tel: 1-800-883-1123 (US &amp; Canada) Fax: 1-800-328-3334 (US &amp; Canada)

Web Site: [www.satelliteindustries.com](http://www.satelliteindustries.com)

# Area Managers & Territories



## Northwest

**John Sprenger**

800.824.5755 / johns@satelliteco.com



## Northeast

**Deric Boggs**

800.328.2331 / dericb@satelliteco.com



## Southwest

**Tim White**

800.272.3280 / timw@satelliteco.com



## Southeast

**Ryan Anthony**

877.711.1054 / ryana@satelliteco.com



## South Central

**Gene Clay**

866.556.4630 / genec@satelliteco.com



## MN, WI & Manitoba

**Mark Elhardt**

800.328.3332 / marke@satelliteco.com

## Online Ordering

satelliteindustries.com  
safetfresh.com

## Customer Service

Restrooms: 800.883.1123 | Fax: 800.328.3334  
Safe-T-Fresh: 877.764.7297 | orderdesk@satelliteco.com