

2016

PARTS CATALOG



o n e  s o u r c e



HELPFUL PARTS ORDERING TIPS

ORDERING TIPS

- Consolidate parts orders to save you time and reduce overall shipping costs.
- Maintain a limited stock of “emergency” type parts to eliminate down time and air shipment expense. A sample of recommended parts:
 - Truck Part: Vacuum pump belt and pump repair kit
 - Accessory Part: Whale Pump Repair Kit (sink part)
 - Restroom Part: Toilet Seat Hardware Kit
 - Deodorizer: 1 Container of Tank Deodorizer & Fragrance Spray in reserve

RECEIVING TIPS

1. Let us know when you need your order to arrive.
2. Advise us if you prefer delivery appointments for your less than truckload shipments.
3. Count packages and check their condition prior to signing for the goods.
4. Make note on carrier paperwork regarding any shortage or damage.

ORDERING INFORMATION

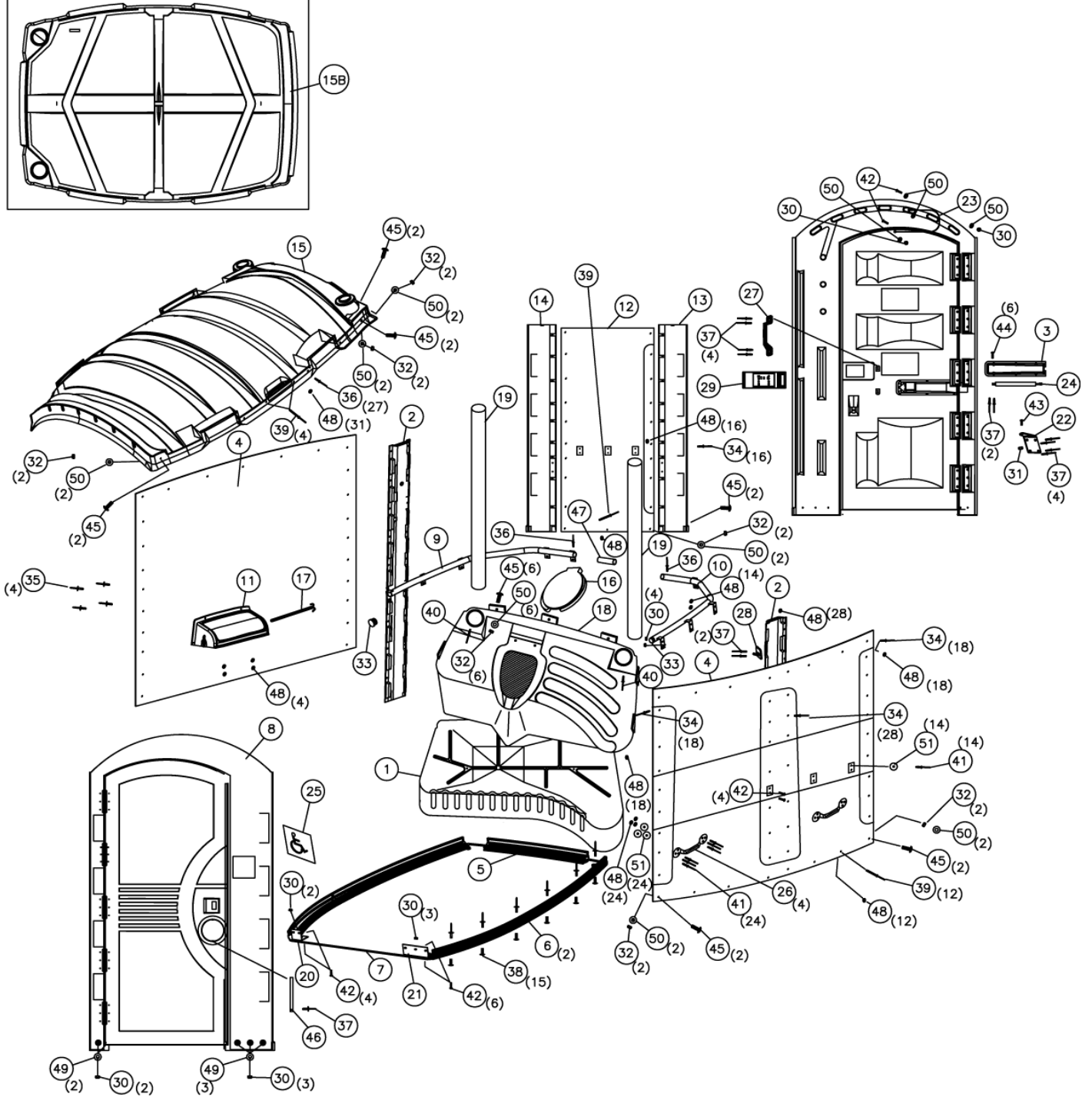
Location	Phone	Fax	Email
USA/Canada	800-883-1123	800-328-3334	orderdesk@satelliteco.com
Outside USA/Canada	763-553-1900	763-551-7246	

Customer Service Hours: 8:00 - 5:00 pm (Central Standard Time)

NOTE: PARTS MAY SHIP FROM MULTIPLE LOCATIONS. COMPONENT PARTS SHIP WITHIN 3 BUSINESS DAYS LTL OR UPS.

WORLD CARE® MAJOR ASSEMBLY

#18892 WORLD CARE 1 ROOF



Visa / Mastercard / American Express / Discover – A 3% fee for any orders charged over \$15,000.00 will apply.
 \$25.00 Minimum Order — Prices and quantities subject to change / all prices are FOB FACTORY — Priced in U.S. Dollars
 20% minimum restocking charge applies on returns

WORLD CARE® MAJOR ASSEMBLY

REV E ITEM #	PART#	QTY PER UNIT	DESCRIPTION	PRICE EACH
1	18616	1	BASE- WORLD CARE TANK	NOT SALEABLE
2	18706	2	CENTER COLUMN- WORLD CARE	
3	18633	1	COVER- WORLD CARE CLOSER	
4	18677	2	WC SIDE PANEL GREY	NOT SALEABLE
5	18635	1	EXTRUSION- WC FLOOR SHORT 34in	
6	18634	2	EXTRUSION- WC FLOOR LONG 82in	
7	18636	1	FLOOR- WORLD CARE	
8	18646	1	FRONT ASSY- WORLD CARE SGRY	NOT SALEABLE
9	18761	1	HANDRAIL- WORLD CARE 2-PC LEFT	
10	18762	1	HANDRAIL- WORLD CARE 2-PC RGHT	
	18651	1	HDWE- WORLD CARE	NOT SALEABLE
11	18652	1	HOOD- PAPERGUARD 3 ROLL	
	19116	1	KIT- PAPERGRD 3 ROLL PUSH CAP	
	19114	1	KIT- PAPERGRD 3 ROLL POP RVT	
	19408	1	KIT- PAPERGRD 4 ROLL VERTICAL	
12	18674	1	PANEL- WORLD CARE BACK SGRY	
13	18679	1	REAR COLUMN- WORLD CARE RH	
14	18678	1	REAR COLUMN- WORLD CARE LH	
15	18684	1	ROOF- WORLD CARE II (91" L X 67 ½ W)	
15B	18892	1	ROOF- WORLD CARE I (87" L X 63 ¾ W)	
16	18757	1	SEAT- ELONG TRS/HT/WC GREY	
17	18529	1	SPINDLE- PAPERGRD 3 ROLL METAL	
	18696	1	SPINDLE- PAPERGRD 3 ROLL WOOD	
18	18699	1	TANK- WORLD CARE 72GAL WO/NTCH	
19	18838	2	VENT PIPE- SYN 4X66 GREY	
	18651	1	HDWE- WORLD CARE	NOT SALEABLE
20	18795	1	BRACKET- WCII L.H.	
21	18796	1	BRACKET- WCII R.H.	
22	18799	1	BRACKET- WORLD CARE CLOSURE	NOT SALEABLE
23	18800	1	CABLE- 39in GREY AIRCRAFT	
24	18802	1	CLOSURE- WORLD CARE DOOR	
25	18803	1	DECAL- WORLD CARE HCP 6 X 6	NOT SALEABLE
26	14611	4	HANDLE- RESTROOM LIFT	
27	18708	1	HANDLE- PLASTIC LUGGAGE	
28	18712	1	HOOK- BLACK PLASTIC COAT	
29	18711	1	LATCH- SLIDING W/ENGLISH LABEL	
30*	13128	16	NUT- ¼-20 NYLOC	
31*	14777	1	NUT- #10-24 NYLOC	
32*	13131	18	NUT- 5/16 NYLOC	
33	18894	2	PLUG- 1-1/2 ROUND PLASTIC	
34*	11024	80	RIVET- #610 AAP	
35*	11054	4	RIVET- #68 AAL POP	
36	14351	29	RIVET- #610 CCP	
37*	17436	13	RIVET- AVDEL SILVER	
38	18797	15	RIVET- 2-PC ALUM	
39	18798	17	RIVET- #616 AAL POP	
40*	18755	2	RIVET- AVDEL SILVER LONG	
41*	11270	38	RIVET- #68 STNLS	
42*	18718	16	SCREW- ¼-20 X 1 TRUSS HEAD	
43*	14985	1	SCREW- #10-24 X 5/8 STNLS PHPN	
44*	18813	6	SCREW- #10-24 X3/4 TRUSS STNLS	
45	16809	18	SCREW- 5/16-18 X 1-1/2 TORX	
46	18801	1	TUBE- WORLD CARE DOOR HANDLE	
47	18839	1	TUBE- WC HANDRAIL INSERT	
48*	11315	166	WASHER- 3/16 RIVET STNLS	
49	12382	5	WASHER- ¼ FLAT STNLS	
50*	11368	22	WASHER- 5/16 FLAT STNLS	
51*	11361	38	WASHER- 3/16 ID FENDER	
	18693	1	INSTRUCTIONS- WORLD CARE (NOT SHOWN)	

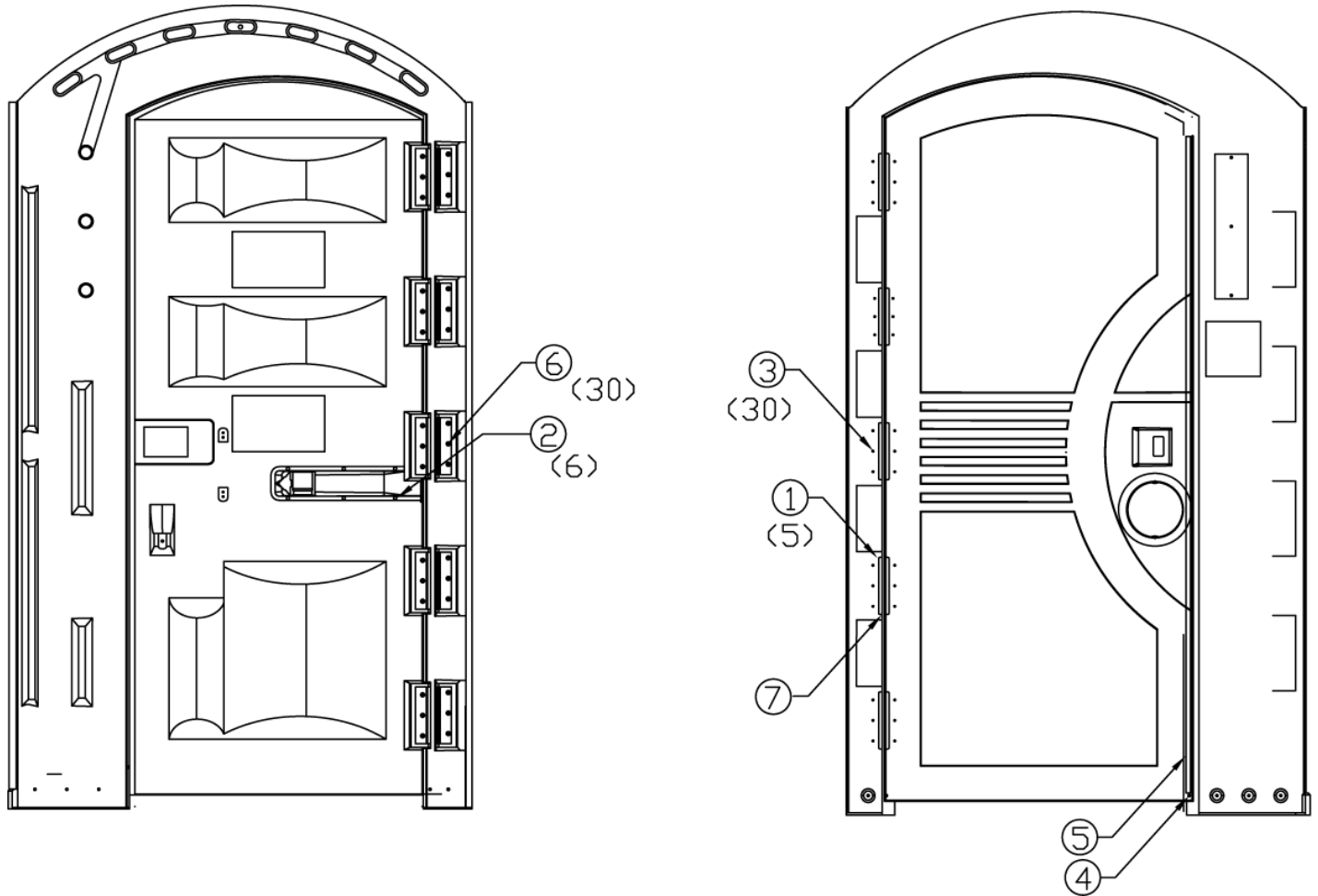
* ONLY SOLD IN MULTIPLES OF 100

Consult Your Area Manager at:

Tel: 1-800-883-1123 (US & Canada) Fax: 1-800-328-3334 (US & Canada)

Web Site: www.satelliteindustries.com

WORLD CARE® FRONT ASSEMBLY



REV D ITEM #	PART#	QTY PER UNIT	DESCRIPTION	PRICE EACH
	18646	1	FRONT ASSY- WORLD CARE DGRY	NOT SALEABLE
1	18733	5	HINGE- SYN DOOR	
2	14791	6	INSERT- #10-24 JACK NUT	
3*	11024	30	RIVET- #610 AAP	
4*	10804	1	SCREW- #8 X 3/4 PHPN TAP	
5	18924	1	TUBE- 16GA X 1/2 SQ X 69	NOT SALEABLE
6*	11315	30	WASHER- 3/16 RIVET STNLS	
7	18730	5	HINGE PIN- REPLACMNT SYN DOOR	

* ONLY SOLD IN MULTIPLES OF 100

Visa / Mastercard / American Express / Discover – A 3% fee for any orders charged over \$15,000.00 will apply.
 \$25.00 Minimum Order — Prices and quantities subject to change / all prices are FOB FACTORY — Priced in U.S. Dollars
 20% minimum restocking charge applies on returns

HAND WASH & ACCESSORIES

BREEZE II™

BREEZE™

WAVE™

DISPENSERS

HANDISTAND™

AGWASH HANDWASH

HANDWASH

CONTAINMENT TRAY

HOLDING TANK

DECALS

TOOLS & LIGHTS

SLIMMATE™

MAXIM 3000™



Consult Your Area Manager at:

Tel: 1-800-883-1123 (US & Canada) Fax: 1-800-328-3334 (US & Canada)

Web Site: www.satelliteindustries.com

PARTS ORDER FORM

Photocopy for use as a fax form or visit us online 24/7 and place your parts orders for Satellite products at
SatelliteIndustries.com

FAX TO CUSTOMER SERVICE AT #1-800-328-3334

EMAIL: orderdesk@satelliteco.com

PO #
COMPANY NAME:
BILL TO ADDRESS:
SHIP TO ADDRESS:
PHONE #

PART #	DESCRIPTION	ORDER QUANTITY	PRICE/UNIT	EXTENDED TOTAL

ORDERED BY	DATE	APPROVED BY (if NECESSARY)	DATE
------------	------	----------------------------	------

COMMENTS/SHIP-VIA/NEED-BY-DATE

VISA/ MASTERCARD / AMERICAN EXPRESS CARD #	
3 OR 4 DIGIT SECURITY CODE (on back of card)	
EXPIRATION DATE	CARD HOLDER NAME

Our hidden strength is customer service... in person and online.



- Buy replacement parts online, anytime – 24/7
- As a Satellite or Safe-T-Fresh customer, you can manage your account online by viewing order history, account balances, shipping status and much more...
- Rest assured knowing your transactions are processed safely and securely on our private servers
- Find product information with full specifications, downloadable assembly sheets and helpful advice

VISIT OUR ONLINE STORES AT:



satelliteindustries.com



safetfresh.com



satelliterestroomtrailers.com



Area Managers & Territories



Northwest

John Sprenger

800.824.5755 / johns@satelliteco.com



Southwest

Tim White

800.272.3280 / timw@satelliteco.com



South Central

Gene Clay

866.556.4630 / genec@satelliteco.com



Northeast

Deric Boggs

800.328.2331 / dericb@satelliteco.com



Southeast

Ryan Anthony

877.711.1054 / ryana@satelliteco.com



MN, WI & Manitoba

Mark Elhardt

800.328.3332 / marke@satelliteco.com

Online Ordering

satelliteindustries.com

safetfresh.com

Customer Service

Restrooms: 800.883.1123 | Fax: 800.328.3334

Safe-T-Fresh: 877.764.7297 | orderdesk@satelliteco.com