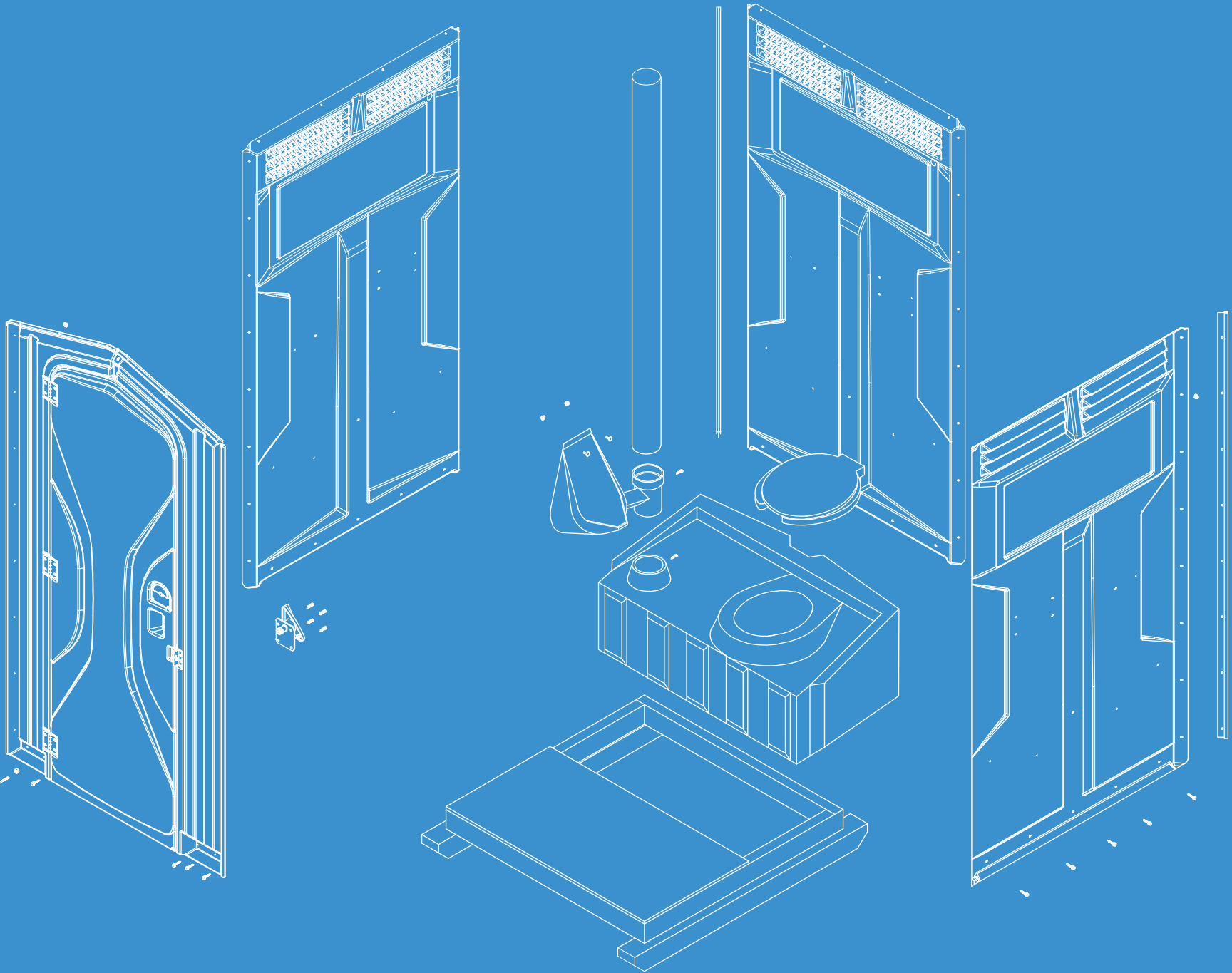




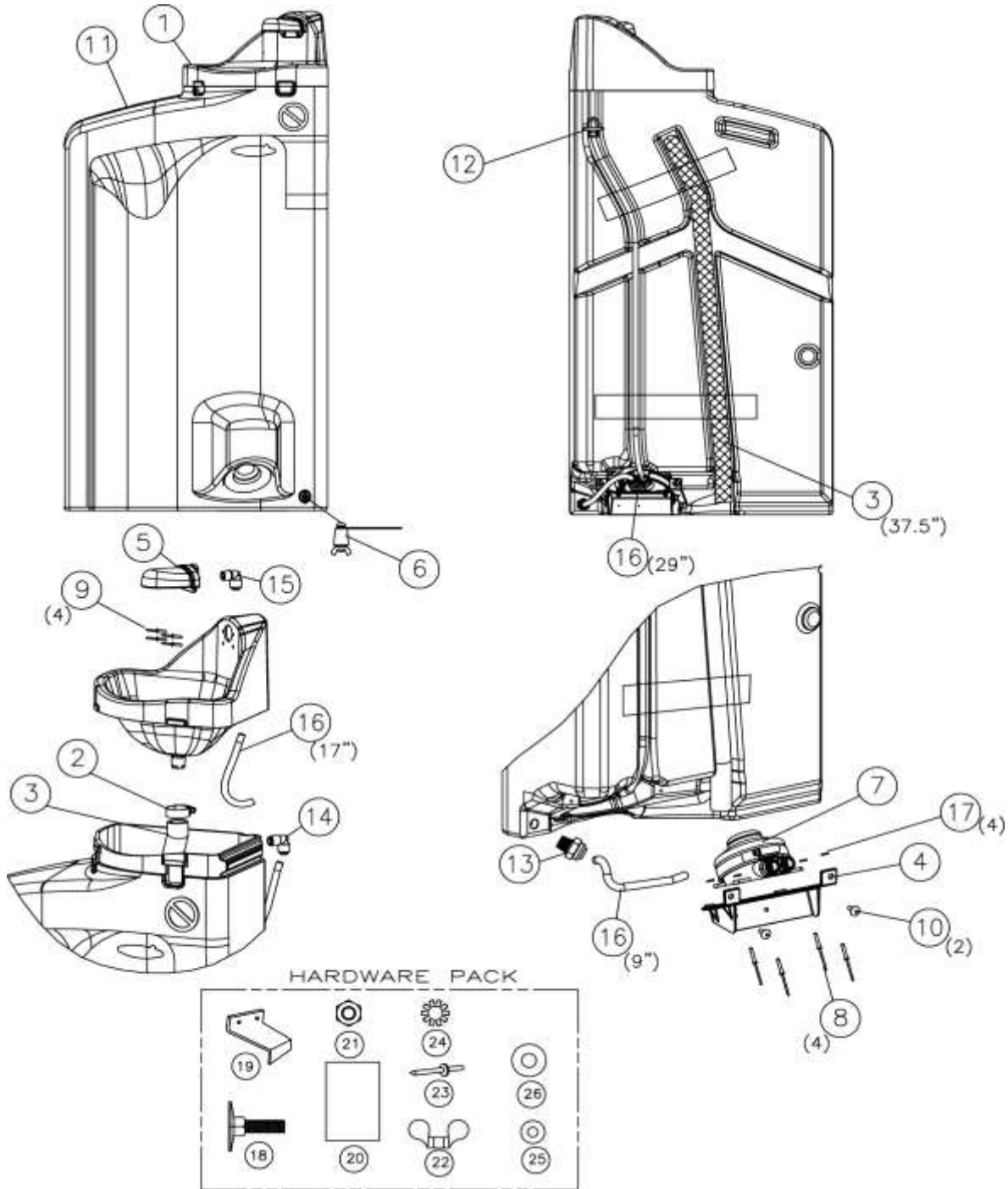
Parts Catalog 2014



satelliteindustries.com

800.883.1123

SLIMMATE™ II



SLIMMATE™ II

REV C ITEM #	PART#	QTY PER UNIT	DESCRIPTION	PRICE EACH
	20621	1	SLIMMATE II- DGRY	CALL
1		1	BASIN, SLIMMATE II GREY	NOT SALEABLE
	20626	1	BASIN ASSY- SLIMMATE II GREY	
2	12588	1	CLAMP- WORMDRIVE #12	
3	16392	37.50"	HOSE- 3/4 LOW PRESSURE	
4	16113	1	MOUNT PLATE- SLIMMATE II PUMP	
5	17079	1	NOZZLE- HOODED GREY	
6	20576	1	PLUG- 3/4 EXPANDING W/TETHER	
7	16305	1	PUMP- BABY FOOT 3/8 HOSE INS	
8*	15144	4	RIVET- #410 ALUM	
9*	14427	4	RIVET- #66 LSH W/LOCK MANDREL	
10*	16393	2	SCREW- #10 X 1/2 HI-LO PHPN	
11	20623	1	TANK- SLIMMATE II GREY	
12	11261	1	TIE- WIRE 6in	
13	16302	1	TS FITTING- 3/8 HOS X NPTF	
14	16656	1	TS FITTING- 90DEG 3/8 HOSxHOS	
15	16301	1	TS FITTING- 90DEG 3/8 HOSxNPTF	
16	16304	55"	TS HOSE- 3/8 OD TUBING	
17*	11384	4	WASHER- 1/8 RIVET STNLS	
18	13439	1	BOLT- 1/4-20 X 1 ELEVTR STNLS	
19	16644	1	BRACKET- SLIMMATE II MOUNTING	
20	16364	1	INSTRUCTIONS, SLIMMATE II (NOT SHOWN)	
21*	15469	1	NUT- 1/4-20 STNLS	
22	13440	1	NUT- 1/4-20 WING TYPE A STNLS	
23	12393	2	RIVET- #64 AAP POP	
24*	15340	1	WASHER- ¼ STAR STNLS	
25	11315	2	WASHER- 3/16 RIVET STNLS	
26	11368	1	WASHER- 5/16 FLAT STNLS	
	20508	1	BOOT - BABY FOOT PUMP (BLACK)	

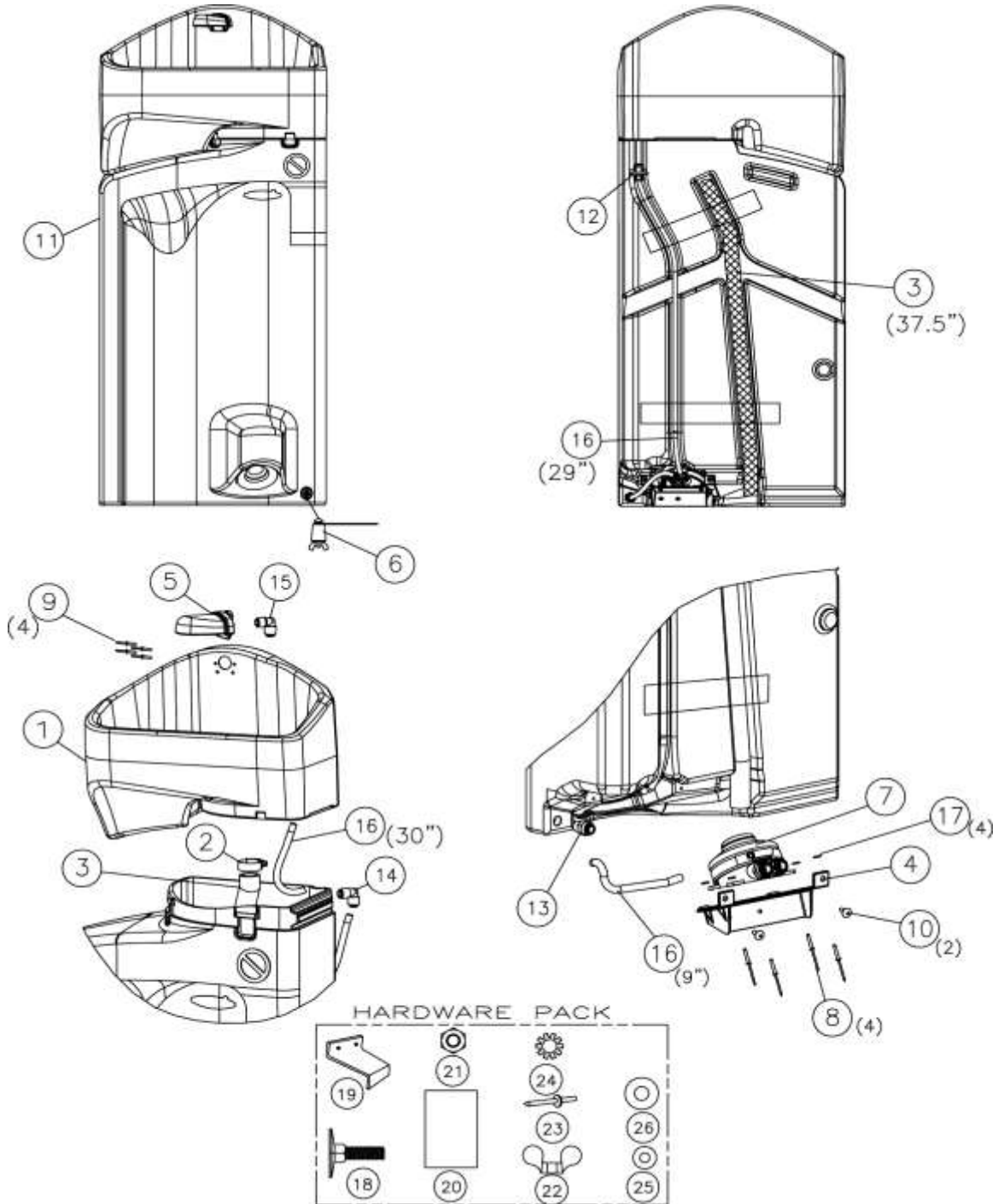
* ONLY SOLD IN MULTIPLES OF 100

Consult Your Area Manager at:

Tel: 1-800-883-1123 (US & Canada) Fax: 1-800-328-3334 (US & Canada)

Web Site: www.satelliteindustries.com

SLIMMATE™ FOREARM



SLIMMATE FOREARM

REV C ITEM #	PART#	QTY PER UNIT	DESCRIPTION	PRICE EACH
	20624	1	SLIMMATE II- FOREARM DGRY	CALL
1		1	BASIN, SLIMMATE II FORARM	NOT SALEABLE
	20627	1	BASIN ASSY- FORM SLIMM II GREY	
2	12588	1	CLAMP- WORMDRIVE #12	
3	16392	37.50"	HOSE- 3/4 LOW PRESSURE	
4	16113	1	MOUNT PLATE- SLIMMATE II PUMP	
5	17079	1	NOZZLE- HOODED GREY	
6	20576	1	PLUG- 3/4 EXPANDING W/TETHER	
7	16305	1	PUMP- BABY FOOT 3/8 HOSE INS	
8*	15144	4	RIVET- #410 ALUM	
9*	14427	4	RIVET- #66 LSH W/LOCK MANDREL	
10*	16393	2	SCREW- #10 X 1/2 HI-LO PHPN	
11	20623	1	TANK- SLIMMATE II GREY	
12	11261	1	TIE- WIRE 6in	
13	16302	1	TS FITTING- 3/8 HOS X NPTF	
14	16656	1	TS FITTING- 90DEG 3/8 HOSxHOS	
15	16301	1	TS FITTING- 90DEG 3/8 HOSxNPTF	
16	16304	68"	TS HOSE- 3/8 OD TUBING	
17*	11384	4	WASHER- 1/8 RIVET STNLS	
18	13439	1	BOLT- 1/4-20 X 1 ELEVTR STNLS	
19	16644	1	BRACKET- SLIMMATE II MOUNTING	
20	16364	1	INSTRUCTIONS, SLIMMATE II (NOT SHOWN)	
21*	15469	1	NUT- 1/4-20 STNLS	
22	13440	1	NUT- 1/4-20 WING TYPE A STNLS	
23*	12393	2	RIVET- #64 AAP POP	
24*	15340	1	WASHER- 1/4 STAR STNLS	
25*	11315	2	WASHER- 3/16 RIVET STNLS	
26*	11368	1	WASHER- 5/16 FLAT STNLS	
	20508	1	BOOT - BABY FOOT PUMP (BLACK)	

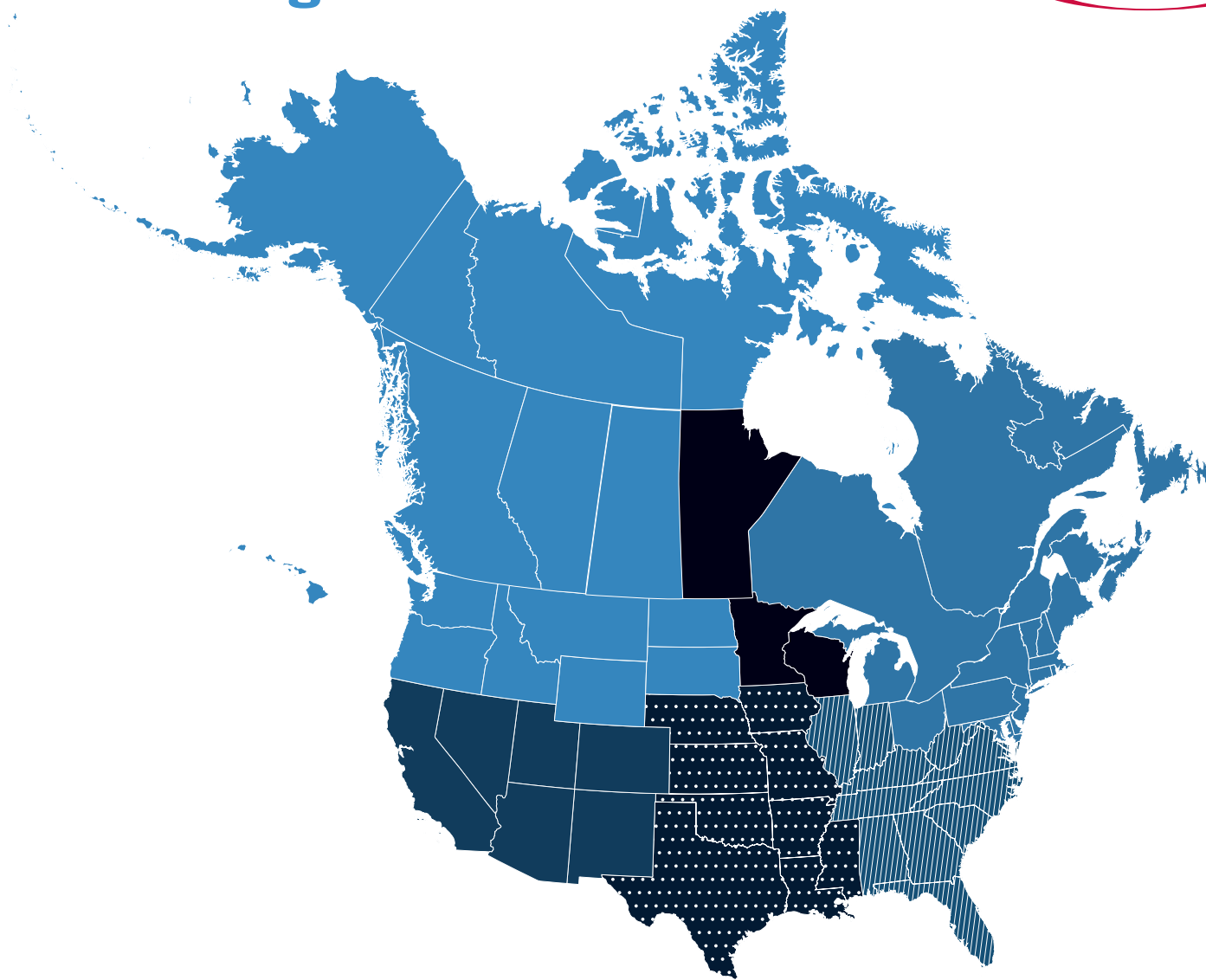
* ONLY SOLD IN MULTIPLES OF 100

Consult Your Area Manager at:

Tel: 1-800-883-1123 (US & Canada) Fax: 1-800-328-3334 (US & Canada)

Web Site: www.satelliteindustries.com

Area Managers & Territories



Northwest

John Sprenger

800.824.5755 / johns@satelliteco.com



Northeast

Deric Boggs

800.328.2331 / dericb@satelliteco.com



Southwest

Tim White

800.272.3280 / timw@satelliteco.com



Southeast

Ryan Anthony

877.711.1054 / ryana@satelliteco.com



South Central

Gene Clay

866.556.4630 / genec@satelliteco.com



MN, WI & Manitoba

Mark Elhardt

800.328.3332 / marke@satelliteco.com

Online Ordering

satelliteindustries.com
safetfresh.com

Customer Service

Restrooms: 800.883.1123 | Fax: 800.328.3334
Safe-T-Fresh: 877.764.7297 | orderdesk@satelliteco.com